



## DOGGIE WASH STATIONS

### STAINLESS STEEL DOG WASH TUB DL-DWPRO-60S

The Stainless Steel Dog Wash Tub brings innovation to the animal bathing process with a number of patented features that include methods to reduce water and shampoo use, keep hair out of drains, and increase safety and ergonomics for bathers and pets.

#### KEY FEATURES

- 14-gauge 304 stainless steel all-weld-ed construction.
- Lift-out door allows easy access without the need of ramps or stair systems
- The high-capacity hair catching system keeps hair out of the drain while allowing all water to drain properly (U.S. Patent 7080608)
- Tub bottom platform & mat set for dog to stand on, which gives the dog traction and comfort and prevents slipping and sliding on wet soapy surfaces, and is helpful in keeping dog under control
- Choice of left or right hand plumbing

#### INCLUDED ACCESSORIES

- Stainless steel step up stool, elevating bottom grate and mat set, quality hose fixture, and bottle holder

#### FAUCET

- Wall-mounted faucet has backflow preventer, flexible stainless steel hose and angled chrome-plated brass spray valve with automatic shutoff
- Built in spring checks to prevent crossflow of water
- Hanger hook with mounting hardware included

#### PRODUCT DIMENSIONS

- DIMENSIONS: 60" x 27" X 48"

#### WARRANTY

1 Year - Manufacturer Defects

ITEM # DL-DWPRO-60S

# Pro Series



# STAINLESS STEEL DOG WASH TUB



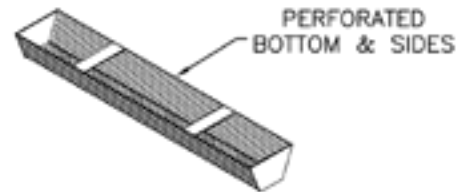
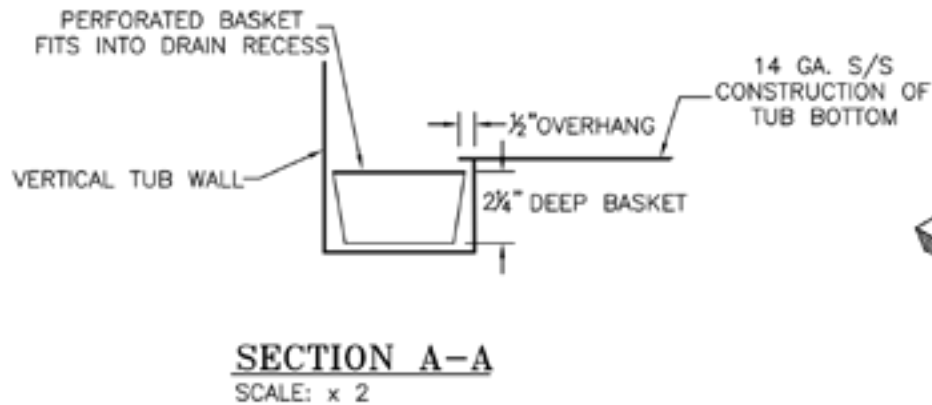
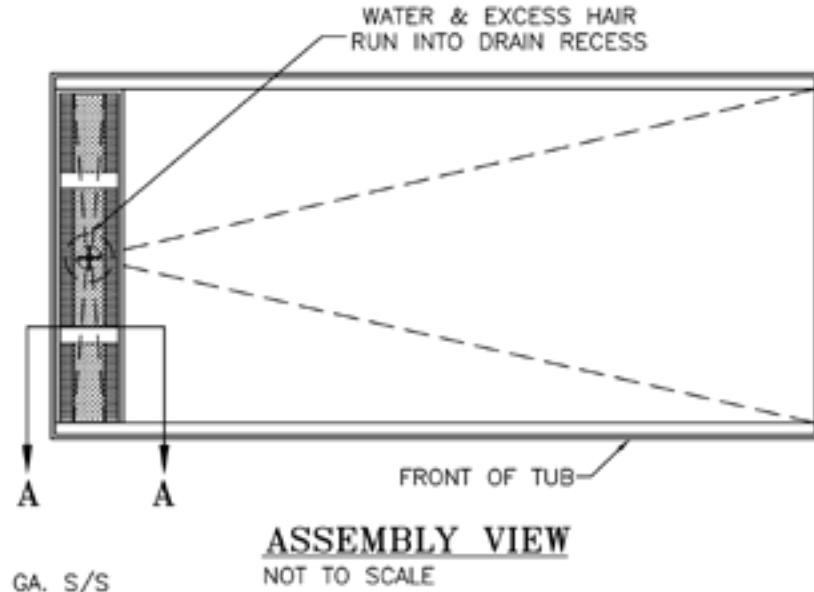
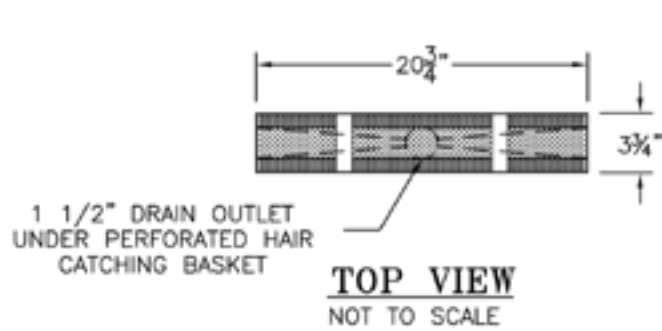
*Pictured: Bottle holder, step up stool and patented hair-catching system*



**LIVIN THE DOG LIFE™**  
DOG PARK PRODUCTS & DESIGNS



## HAIR CATCHING SYSTEM



**LIVIN THE DOG LIFE**  
DOG PARK PRODUCTS & DESIGNS

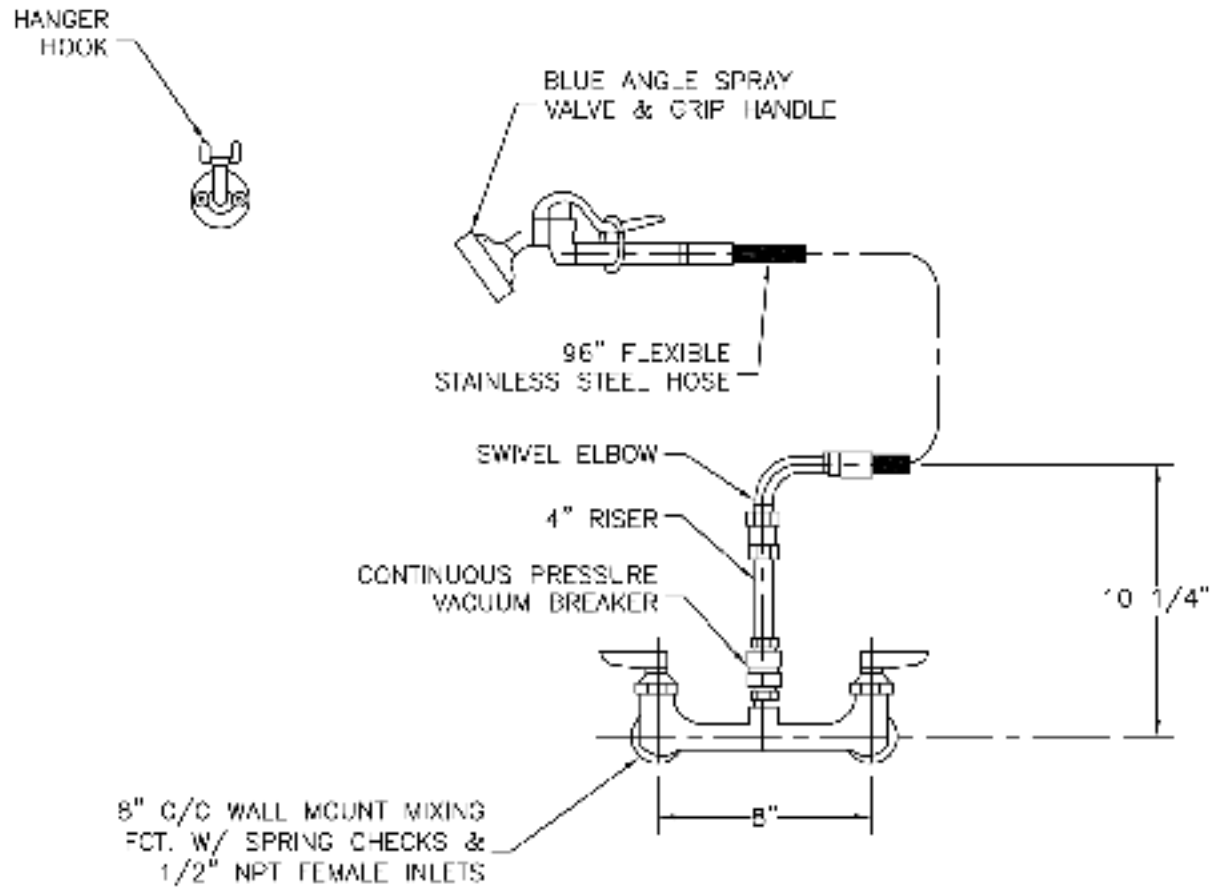


Note: All dimensions may vary slightly due to normal manufacturing tolerances. U.S. Patent 7080608 & 8220417

**DOGGIE WASH STATIONS**



## QUALITY FIXTURE



**LIVIN THE DOG LIFE™**  
DOG PARK PRODUCTS & DESIGNS

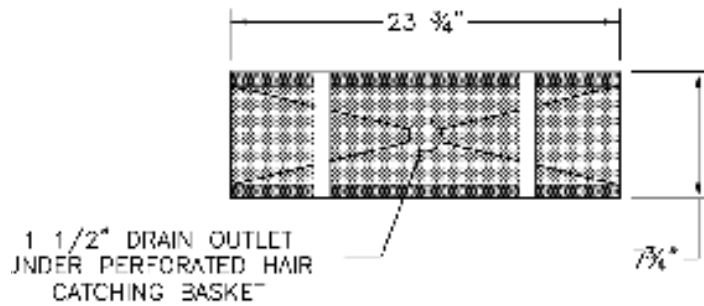


Note: All dimensions may vary slightly due to normal manufacturing tolerances.

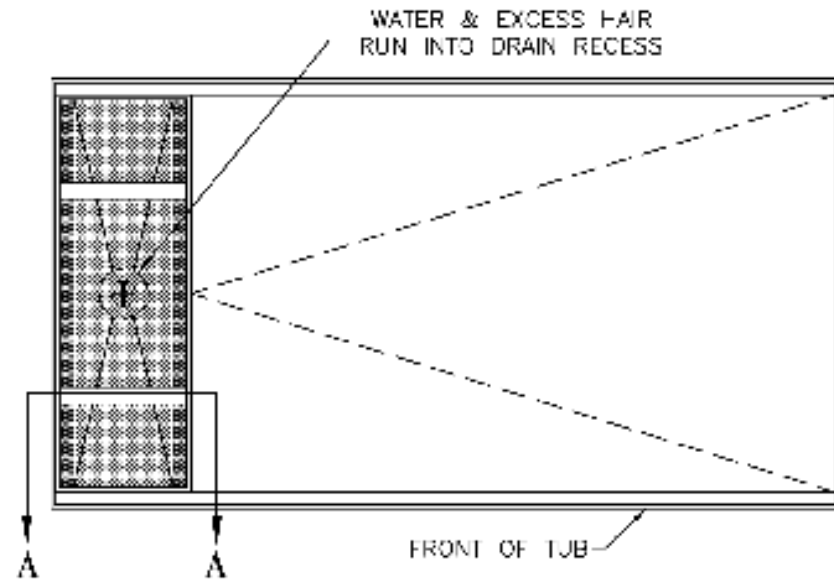
**DOGGIE WASH STATIONS**



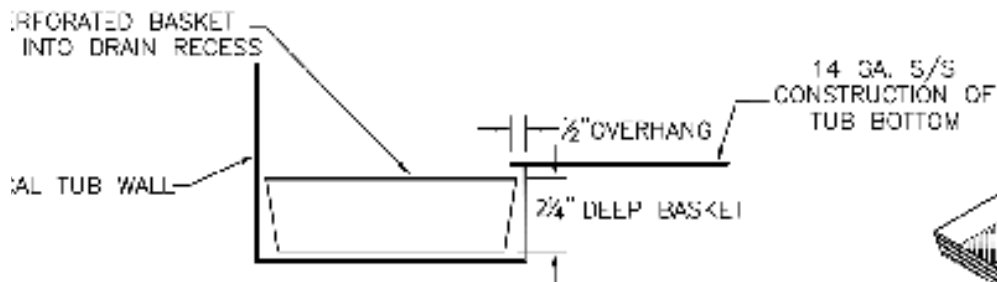
## LEFT DRAINING SYSTEM



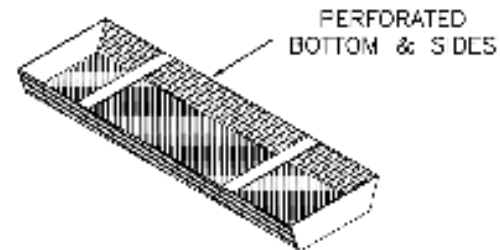
**TOP VIEW**  
NOT TO SCALE



**ASSEMBLY VIEW**  
NOT TO SCALE



**SECTION A-A**  
SCALE: x 2



**LIVIN THE DOG LIFE**  
DOG PARK PRODUCTS & DESIGNS

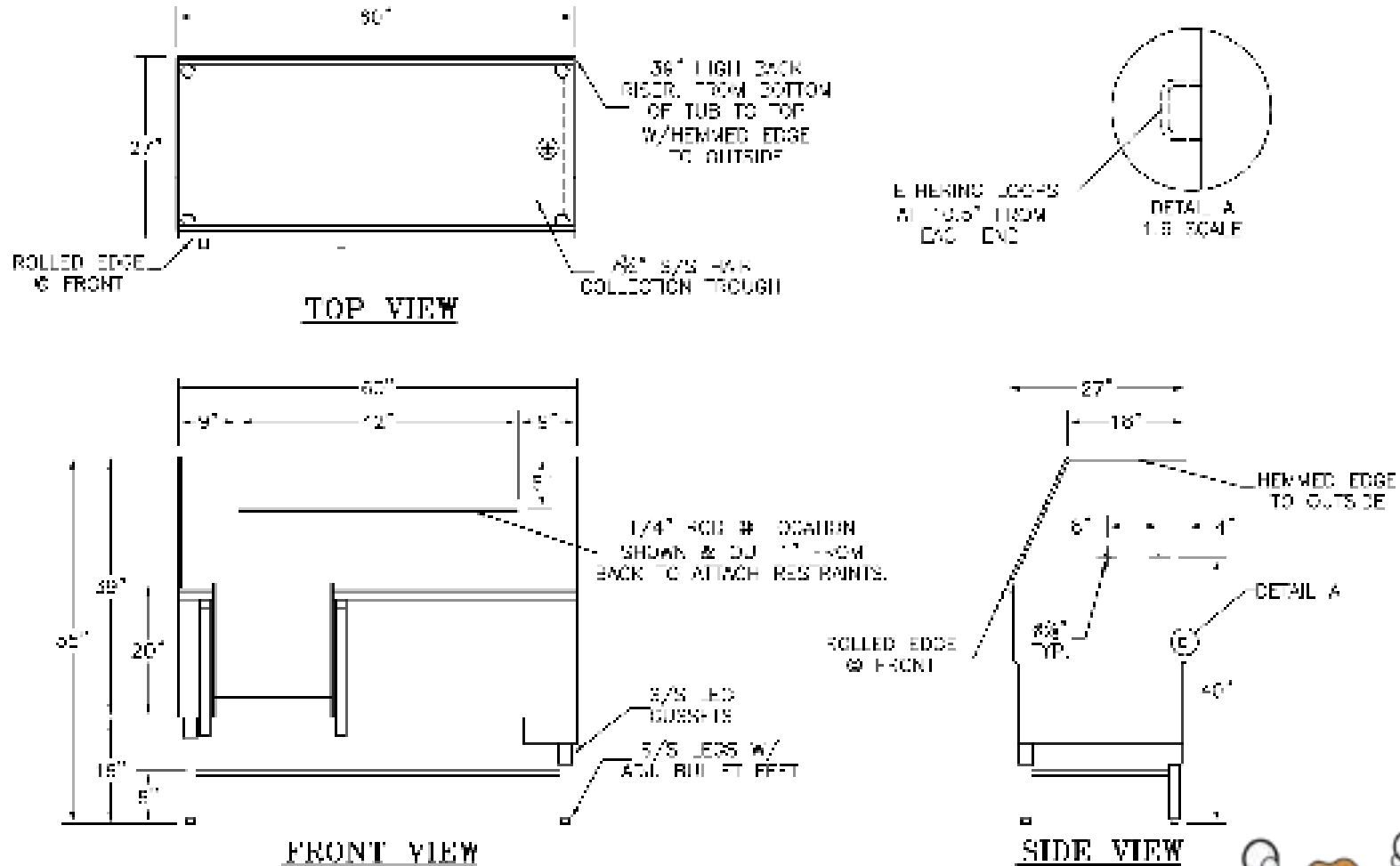


Note: All dimensions may vary slightly due to normal manufacturing tolerances.

**DOGGIE WASH STATIONS**



## RIGHT DRAINING SYSTEM



**LIVIN THE DOG LIFE**  
DOG PARK PRODUCTS & DESIGNS

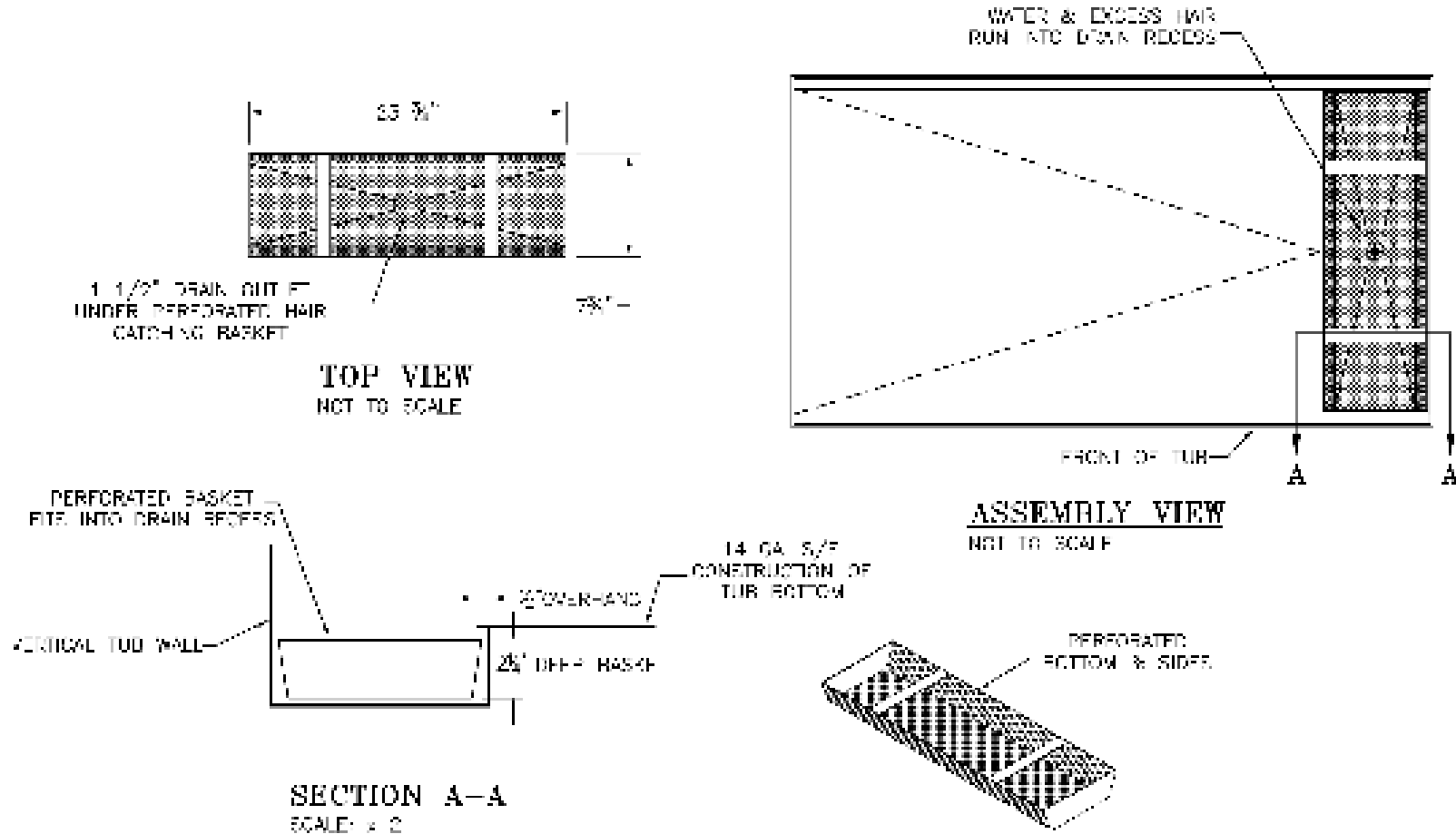


Note: All dimensions may vary slightly due to normal manufacturing tolerances.

**DOGGIE WASH STATIONS**



## RIGHT DRAINING SYSTEM



**LIVIN THE DOG LIFE**  
DOG PARK PRODUCTS & DESIGNS



Note: All dimensions may vary slightly due to normal manufacturing tolerances.

**DOGGIE WASH STATIONS**