



DOGGIE WASH STATIONS

STAINLESS STEEL DOG WASH TUB DL-DWPRO-60S

The Stainless Steel Dog Wash Tub brings innovation to the animal bathing process with a number of patented features that include methods to reduce water and shampoo use, keep hair out of drains, and increase safety and ergonomics for bathers and pets.

KEY FEATURES

- 14-gauge 304 stainless steel all-weld-ed construction.
- Lift-out door allows easy access without the need of ramps or stair systems
- The high-capacity hair catching system keeps hair out of the drain while allowing all water to drain properly (U.S. Patent 7080608)
- Tub bottom platform & mat set for dog to stand on, which gives the dog traction and comfort and prevents slipping and sliding on wet soapy surfaces, and is helpful in keeping dog under control
- Choice of left or right hand plumbing

INCLUDED ACCESSORIES

- Stainless steel step up stool, elevating bottom grate and mat set, quality hose fixture, and bottle holder

FAUCET

- Wall-mounted faucet has backflow preventer, flexible stainless steel hose and angled chrome-plated brass spray valve with automatic shutoff
- Built in spring checks to prevent crossflow of water
- Hanger hook with mounting hardware included

PRODUCT DIMENSIONS

- DIMENSIONS: 60" x 27" X 48"

WARRANTY

1 Year - Manufacturer Defects

ITEM # DL-DWPRO-60S

Pro Series



STAINLESS STEEL DOG WASH TUB



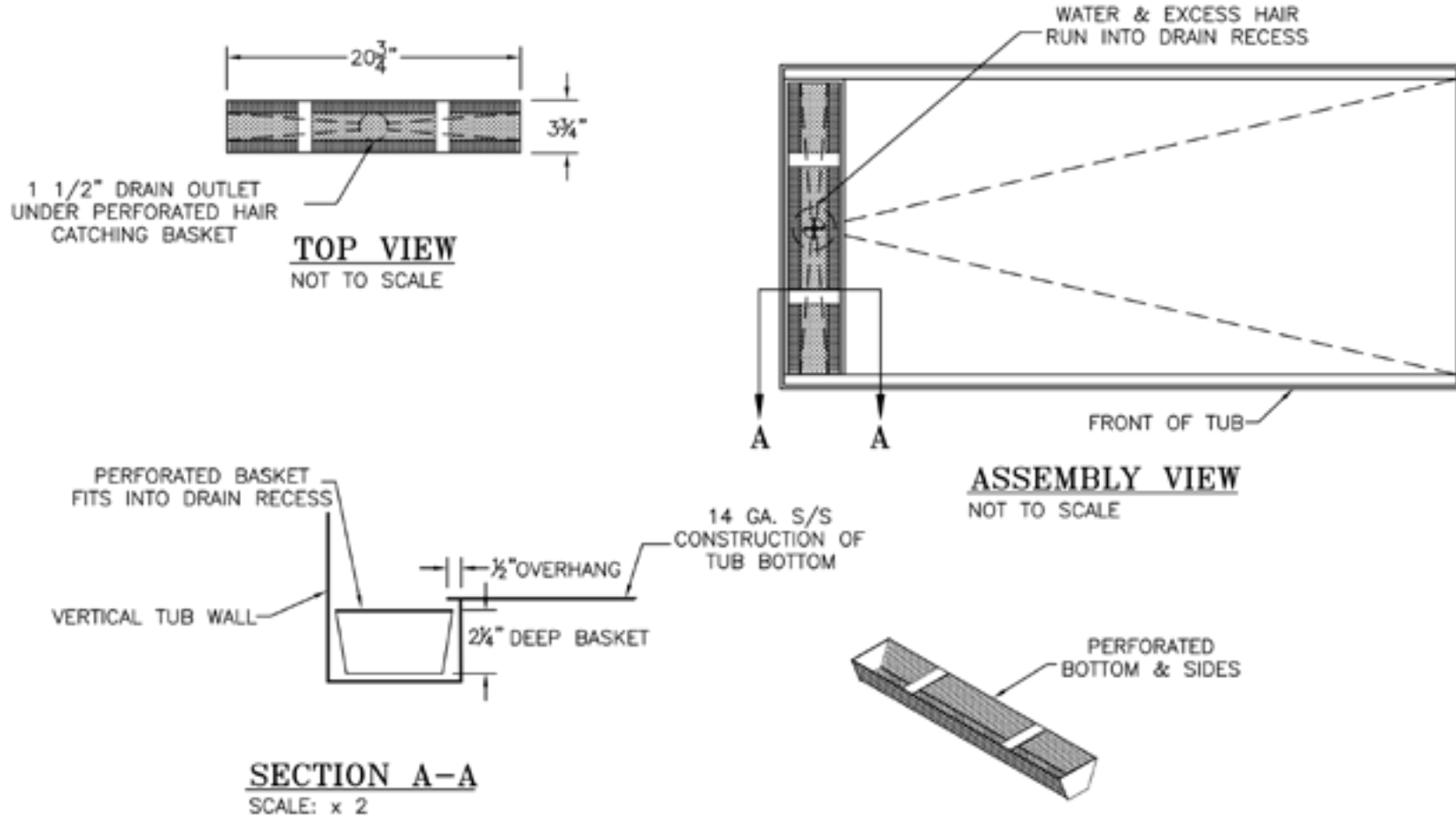
Pictured: Bottle holder, step up stool and patented hair-catching system



LIVIN THE DOG LIFE™
DOG PARK PRODUCTS & DESIGNS



HAIR CATCHING SYSTEM



LIVIN THE DOG LIFE
DOG PARK PRODUCTS & DESIGNS

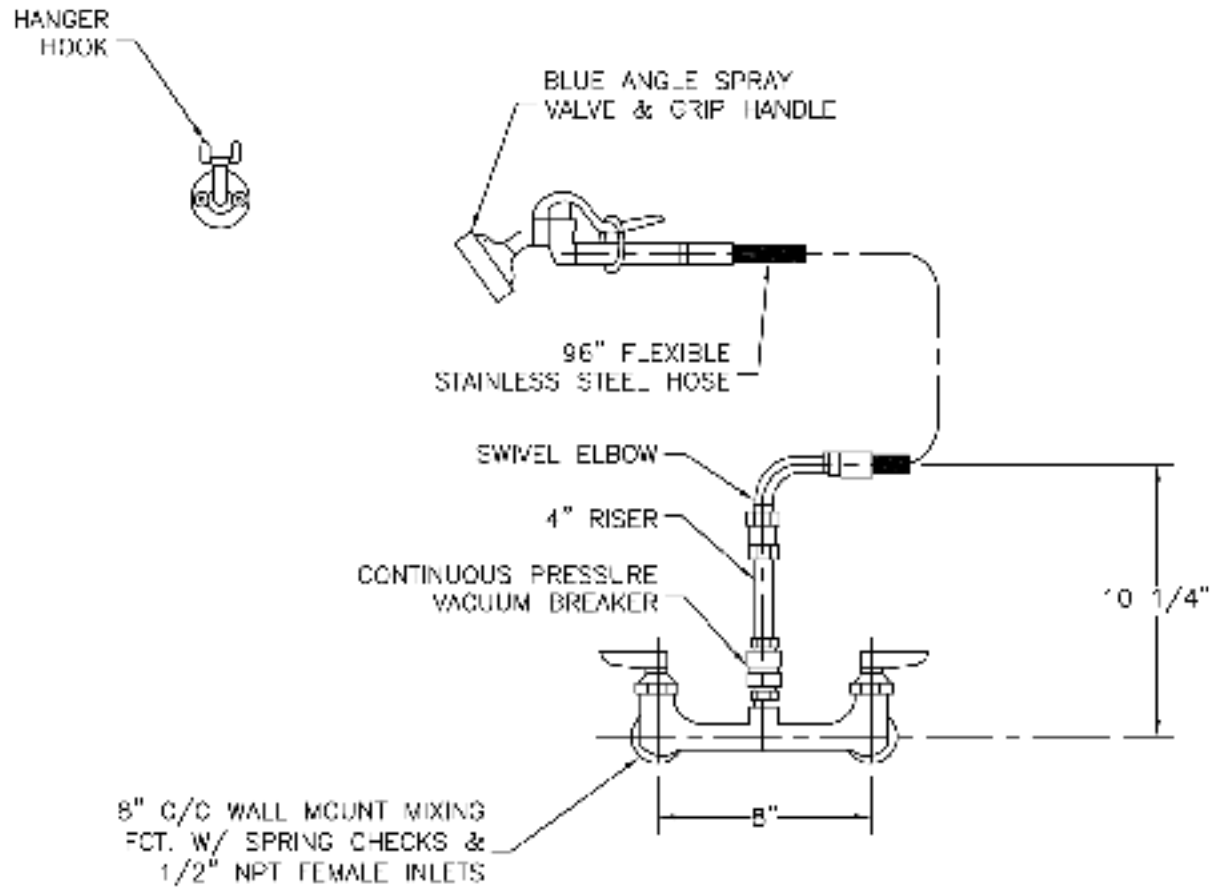


Note: All dimensions may vary slightly due to normal manufacturing tolerances. U.S. Patent 7080608 & 8220417

DOGGIE WASH STATIONS



QUALITY FIXTURE



LIVIN THE DOG LIFE™
DOG PARK PRODUCTS & DESIGNS

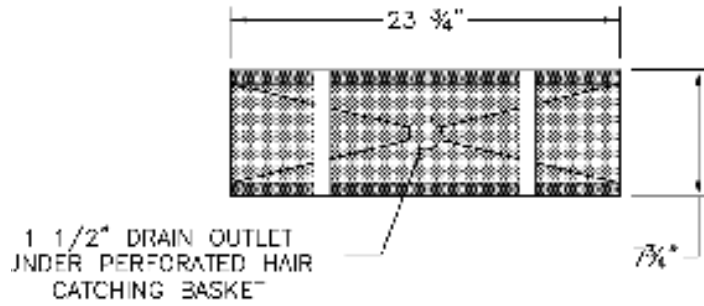


Note: All dimensions may vary slightly due to normal manufacturing tolerances.

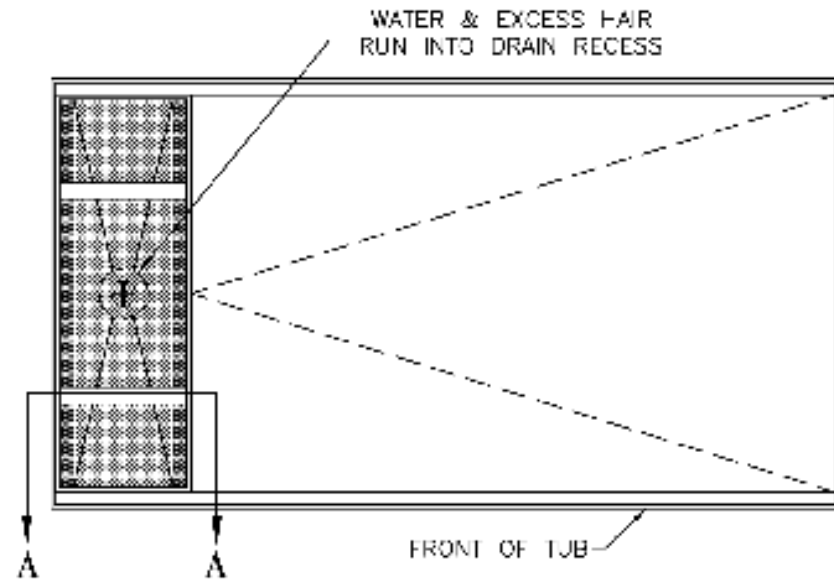
DOGGIE WASH STATIONS



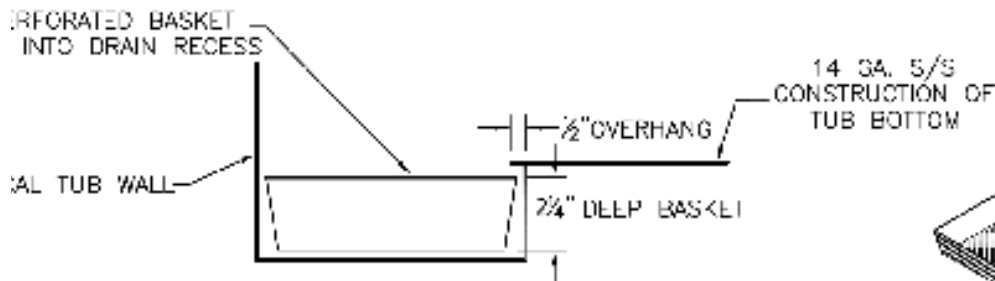
LEFT DRAINING SYSTEM



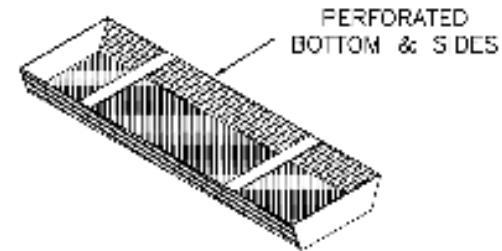
TOP VIEW
NOT TO SCALE



ASSEMBLY VIEW
NOT TO SCALE



SECTION A-A
SCALE: x 2



LIVIN THE DOG LIFE
DOG PARK PRODUCTS & DESIGNS

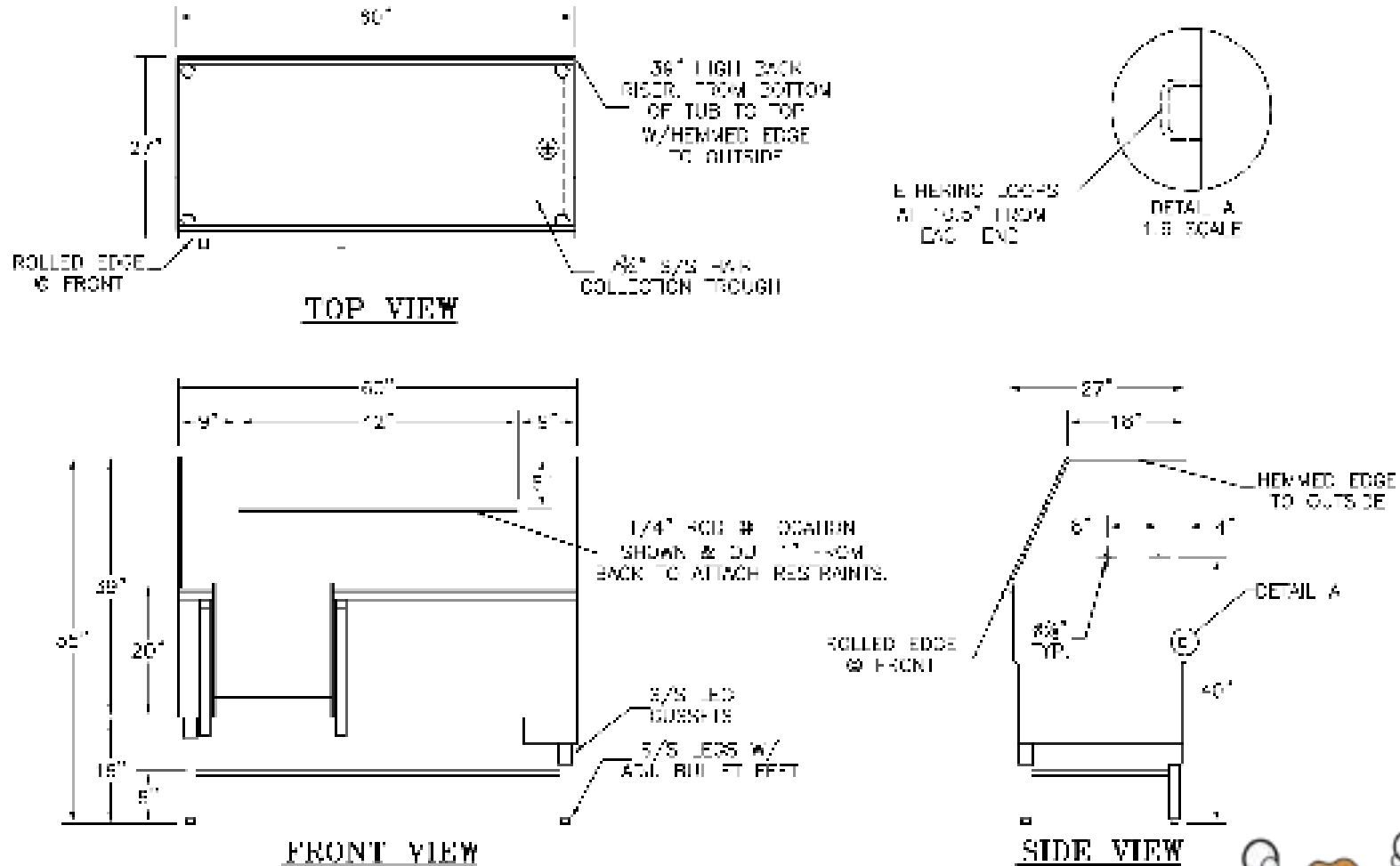


Note: All dimensions may vary slightly due to normal manufacturing tolerances.

DOGGIE WASH STATIONS



RIGHT DRAINING SYSTEM



LIVIN THE DOG LIFE
DOG PARK PRODUCTS & DESIGNS

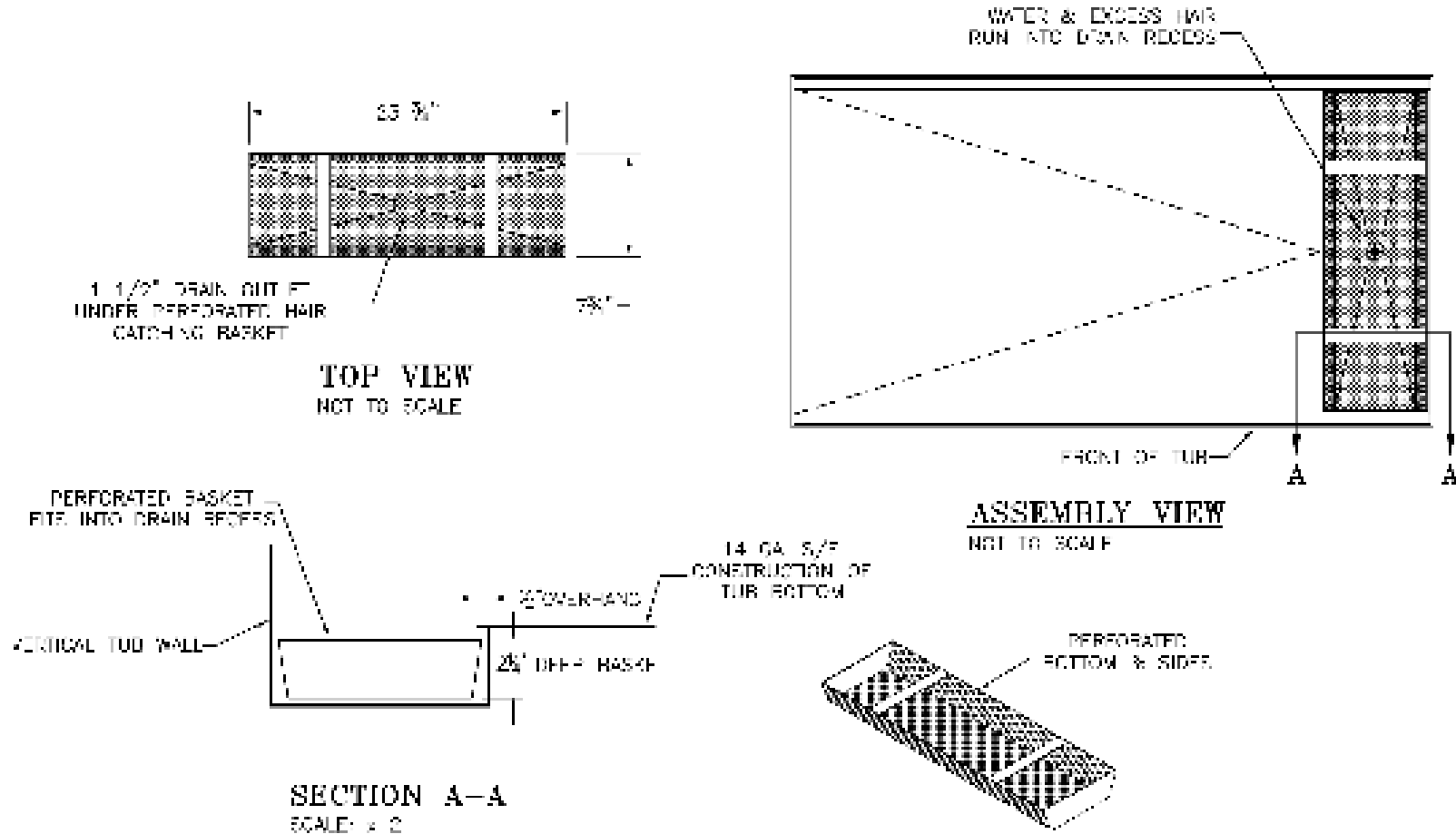


Note: All dimensions may vary slightly due to normal manufacturing tolerances.

DOGGIE WASH STATIONS



RIGHT DRAINING SYSTEM



LIVIN THE DOG LIFE
DOG PARK PRODUCTS & DESIGNS

Note: All dimensions may vary slightly due to normal manufacturing tolerances.



DOGGIE WASH STATIONS