



GARDEN DOG™
DL-BC-NW-CAMO

Bridge Climb



- Cognitive Learning
- Balance and Coordination
- Endurance
- Muscular Development

DIMENSIONS: Approx. 12' L x 52" W x 34" H

SHIPPING DIMENSIONS

SHIPPING: Delivered on pallets. 5' L x 5' W x 4' H

MOUNT TYPE : Surface

CAMO DOG™
DL-HC-NW-CAMO

Hill Climb



- Cognitive Stimulation
- Balance and Coordination
- Endurance
- Muscular Development

PRODUCT DIMENSIONS

DIMENSIONS: Approx. 8' L x 44" W x 36" H

SHIPPING DIMENSIONS

SHIPPING: Delivered on pallets. 5' L x 5' W x 4' H

MOUNT TYPE : Surface

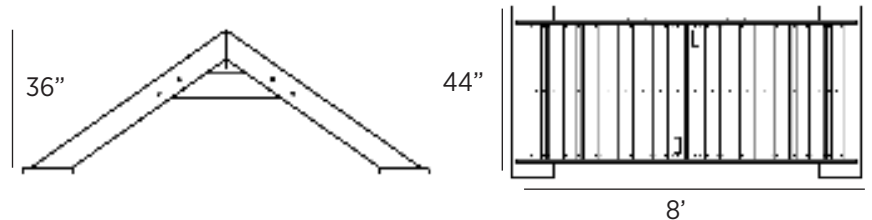
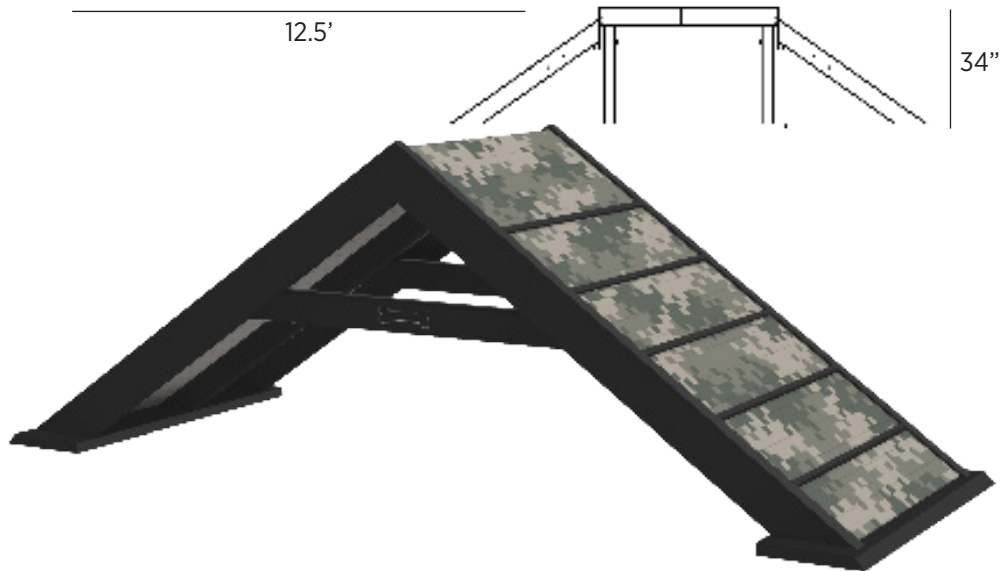
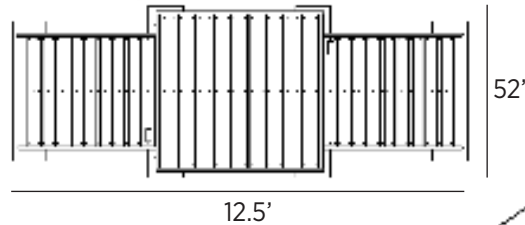
MATERIALS

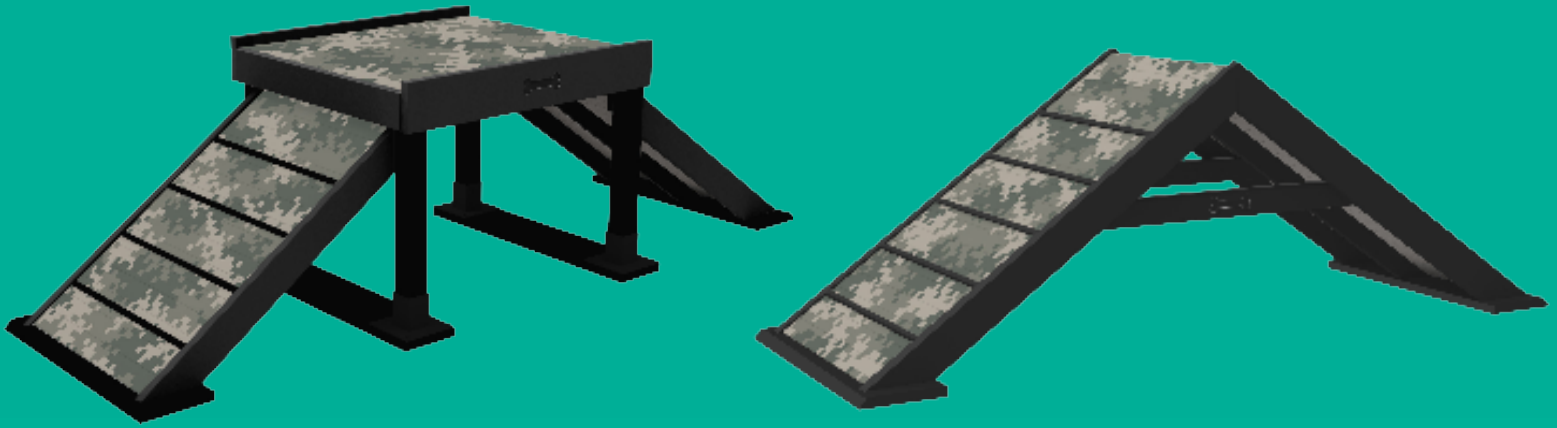
Natural Wood: Cedar lumber. Solid stain finish is a 100% acrylic formula that helps seal out weather elements and the sun's harmful UV rays.

WARRANTY

1 year warranty on craftsmanship. 10 years on paint protects against cracking, blistering and peeling.

CAMO DOG™



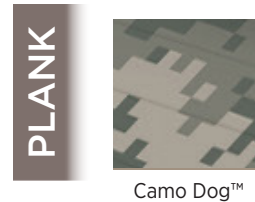


NATURAL WOOD COLOR OPTIONS - NW

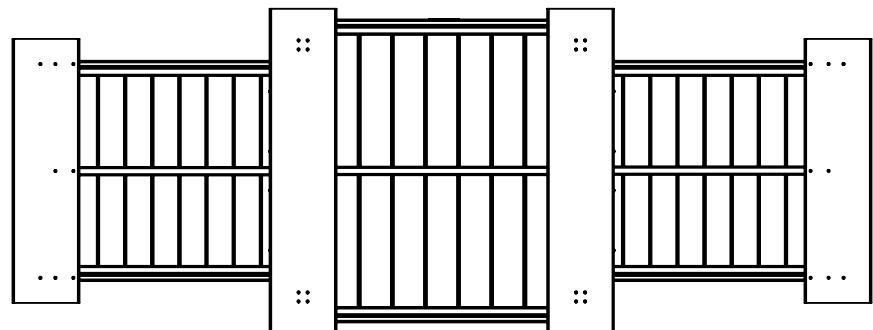
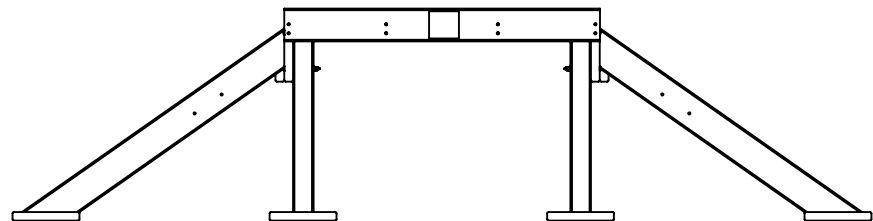
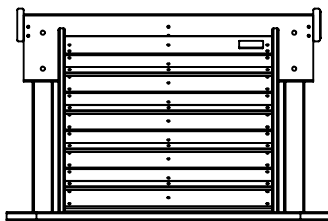
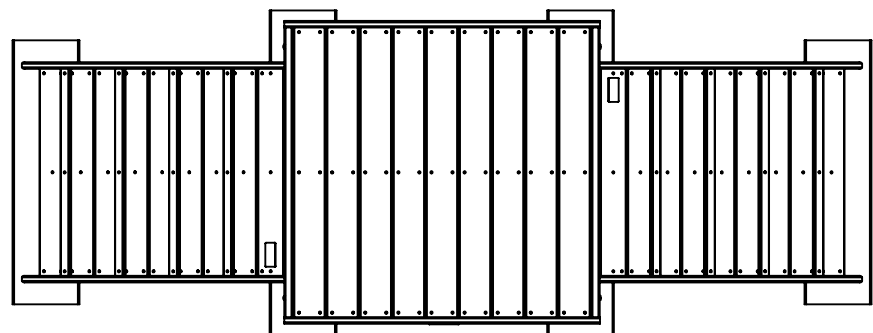
Our cedar lumber is pressure-treated and is resistant to harsh weather elements. Products come in uncolored wood or the listed designer colors.

The solid stain finish is a 100% acrylic formula that helps seal out weather elements and the sun's harmful UV rays for up to five years. Some natural color fading may occur during this period, especially in areas exposed to wear zones, sunlight or excessive weather.

Natural wood is great for parks that want a unique look with various color ability options. Whether you choose a natural look or a vibrant look, your park will look great with these products.



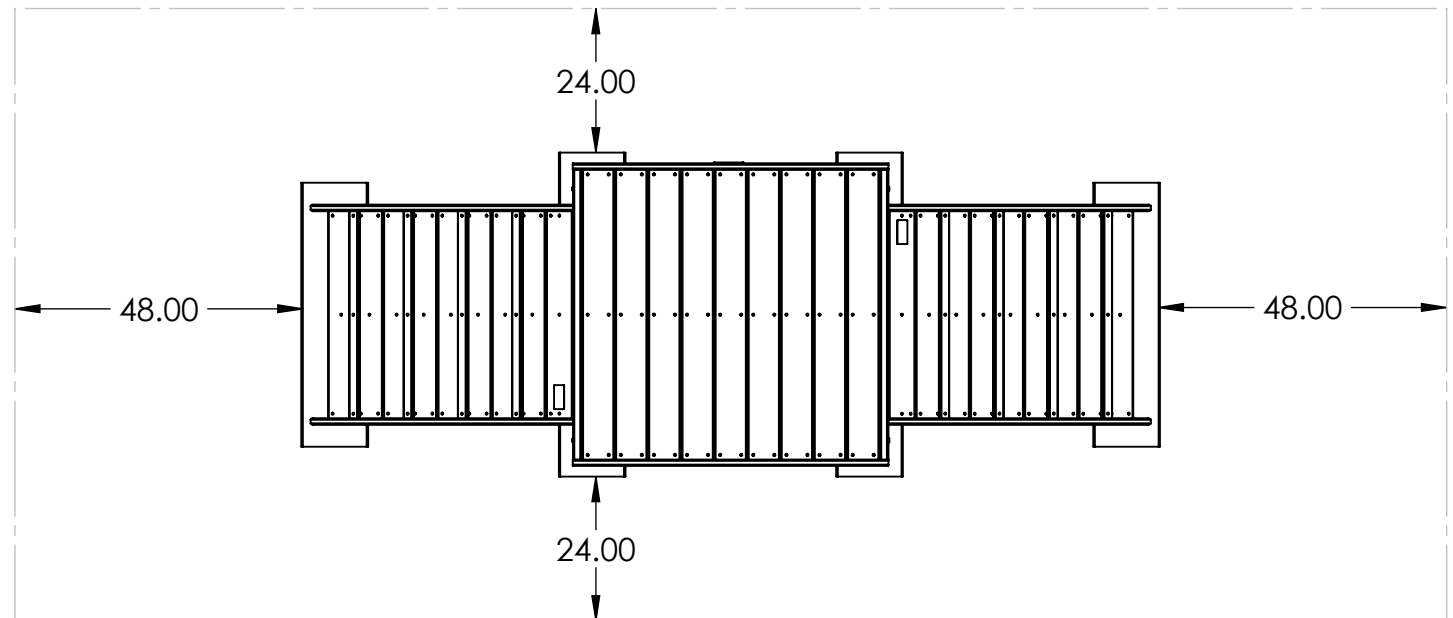
DRW. NO. 81-011-1000	ITEM NO.	PART NUMBER	BRDIGE CLIMB 37 - DESCRIPTION	QTY.
	1	81-011-20001	PLATFORM	1
	2	81-011-20002	BRIDGE CLIMB LEG	2
	3	81-011-20000	BRIDGE CLIMB RAMP	2
	4	1/2" x 5-1/2" Long	Hex bolt	8
	5	1/2" WASHER	Flat Washer (Galvanized)	16
	6	1/2" NUT	Hex nut (Galvanized)	16
	7	1/2" NUT	Hex nut (Galvanized)	16
	8	1/2" x 3-1/2" Long	Hex bolt (Galvanized)	8



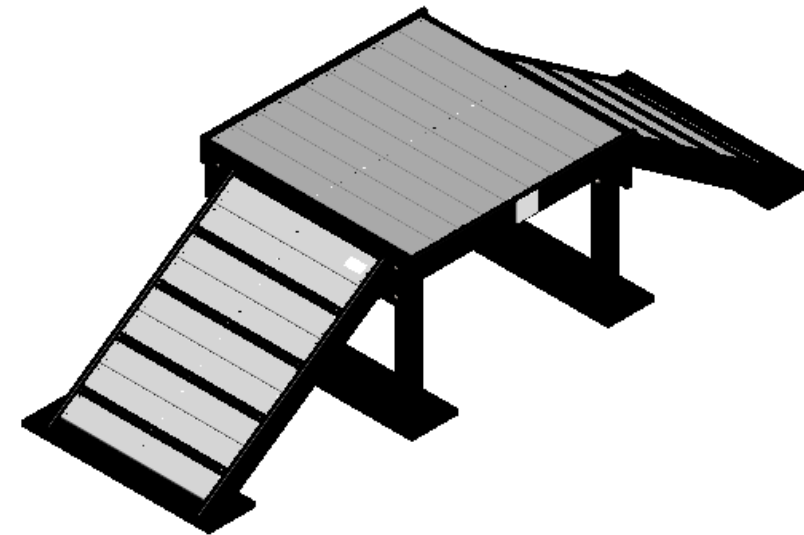
PATENT PENDING
All Rights Reserved
Gyms For Dogs

800-931-1562 Phone
www.GymsForDogs.com

Gyms For Dogs - Bridge Climb (L/XL)



Safe Landing Zone: Provide a 4" absorption layer of cypress or cedar mulch or some form of absorption in the defined landing zone (see above) around the equipment to provide a safe landing zone. For concrete floor installations we recommend using our Dura Dog(TM) Soft Cushion Jumping Mats in front of each



Anchoring instructions:

Fastener, 3/8 x 5" min. wedge anchor.
Fastener should be a minimum of 1 inch from edge of board.
Recommend to cut excess threads of anchor off for safety.

TOLERANCES UNLESS NOTED:
.X ±.03
.XX ±.015
.XXX ±.005
FRACTIONAL: ±1/32
ANGULAR: ±.5°

PROPRIETARY AND CONFIDENTIAL

THE INFORMATION CONTAINED IN THIS DRAWING IS THE SOLE PROPERTY OF GYMS FOR DOGS. ANY REPRODUCTION IN PART OR AS A WHOLE WITHOUT THE WRITTEN PERMISSION OF GYMS FOR DOGS IS PROHIBITED.

MATERIAL:	NAME	DATE
DRAWN BY:	JIMJ	5/24/2016
COMMENTS:		



TITLE: **BRIDGE CLIMB (L/XL)**

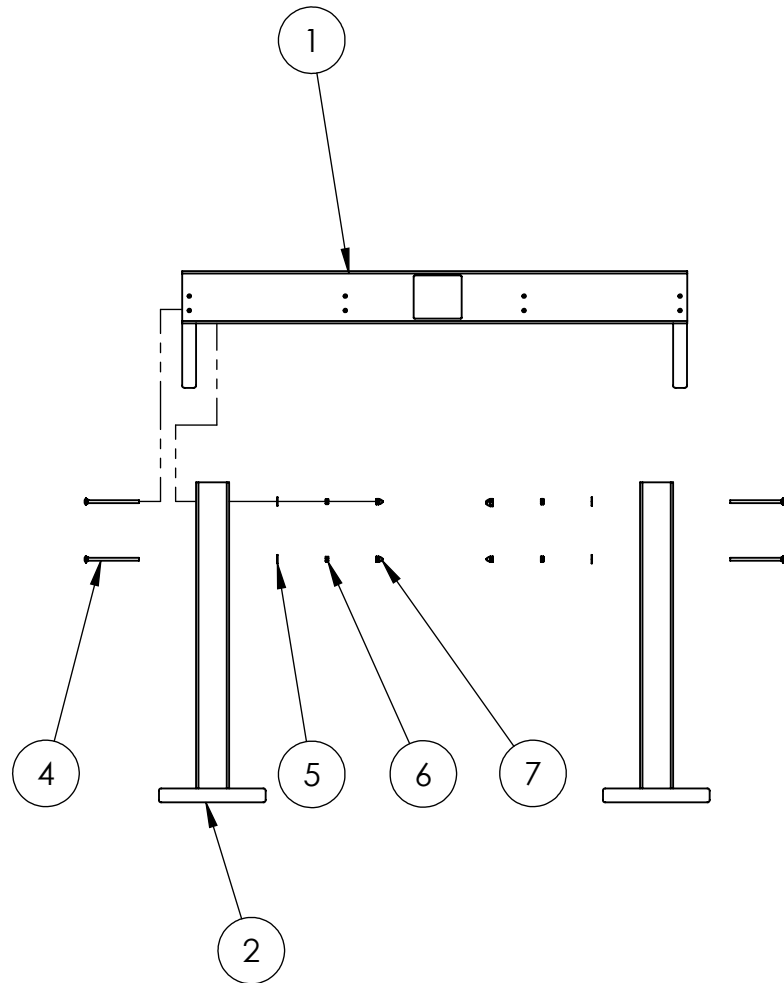
SIZE	DRW. NO.	REV
B	81-011-10001	

SCALE: 1:32 WEIGHT: 545.76 LBS. SHT: 1 OF 2

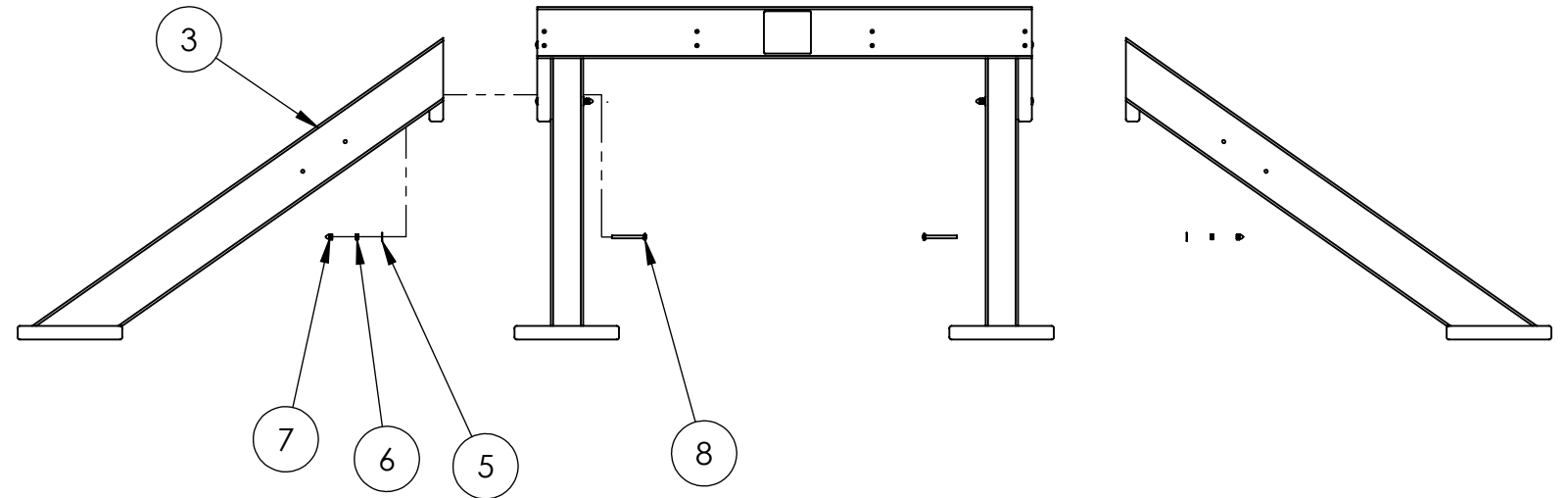
E		
D		
C		
B		
A		
LTR	ECR DESCRIPTION	NAME/DATE

DO NOT SCALE DRAWING

STEP 1



STEP 2



ASSEMBLY NOTES:

Step 1: Assemble - Bolt (#4), washer (#5), nut (#6), nut (#7) and Item 2 (platform) to Item 3 (legs).

Step 2: Assemble - Bolt (#8), washer (#5), nut (#6), nut (#7) and Item 1 (ramps) to platform and leg assembly.

Step 3: Place on level surface and check product with a level - check all connections.

PATENT PENDING

All Rights Reserved
Gyms For Dogs

800-931-1562 Phone
www.GymsForDogs.com

TOLERANCES UNLESS NOTED:
.X ±.03
.XX ±.015
.XXX ±.005
FRACTIONAL: ±1/32
ANGULAR: ±.5°

PROPRIETARY AND CONFIDENTIAL

THE INFORMATION CONTAINED IN THIS DRAWING IS THE SOLE PROPERTY OF GYMS FOR DOGS. ANY REPRODUCTION IN PART OR AS A WHOLE WITHOUT THE WRITTEN PERMISSION OF GYMS FOR DOGS IS PROHIBITED.

MATERIAL:		
NAME	DATE	
DRAWN BY: JIMJ	5/24/2016	
COMMENTS:		



TITLE: **BRIDGE CLIMB (L/XL)**

SIZE	DRW. NO.	REV
B	81-011-10001	

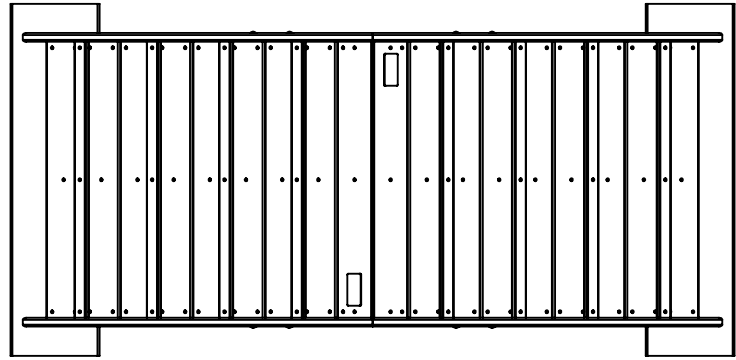
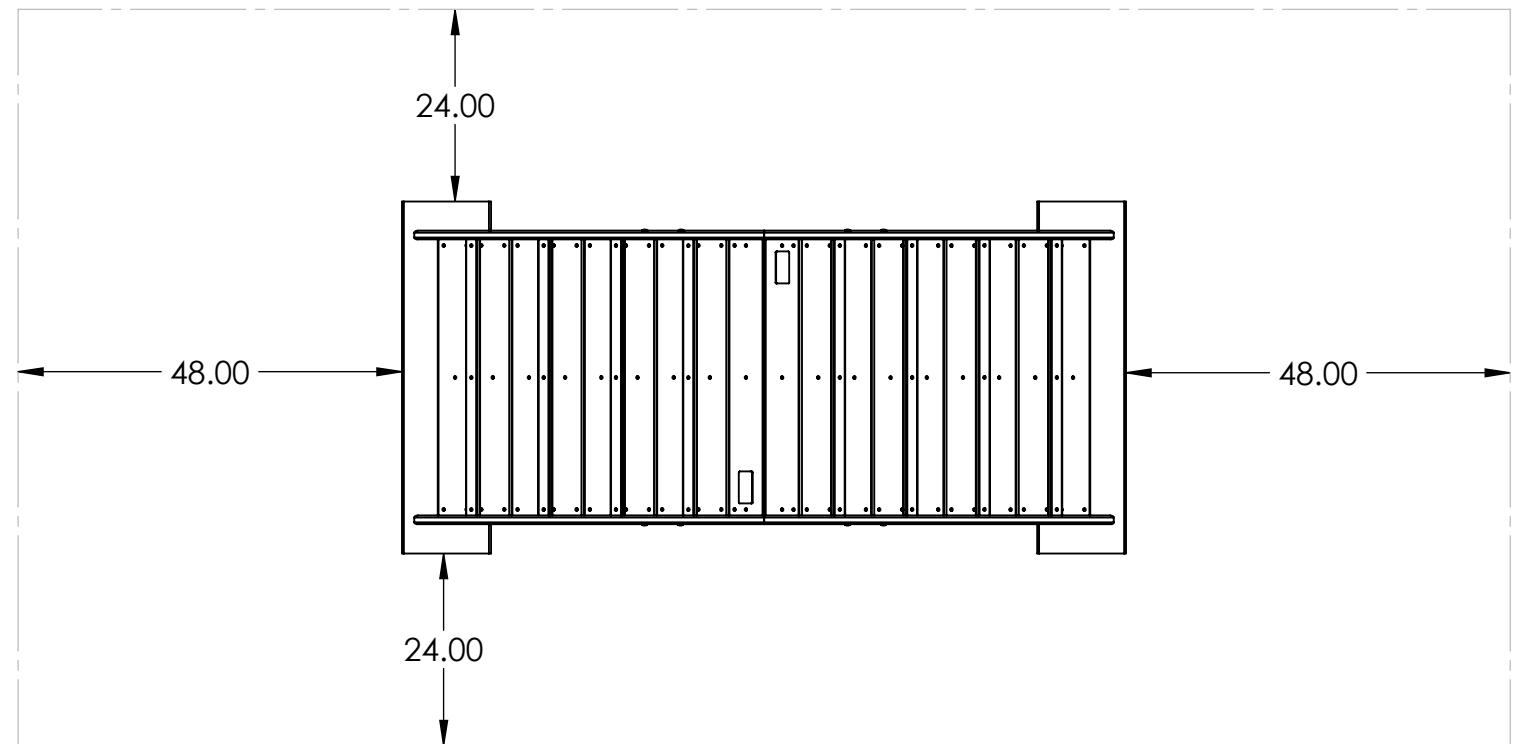
SCALE: 1:20 WEIGHT: 545.76 LBS. SHT: 2 OF 2

DO NOT SCALE DRAWING

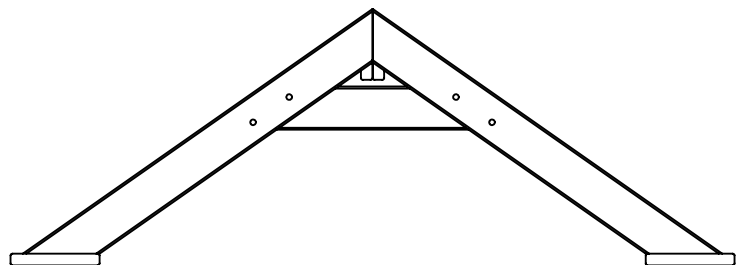
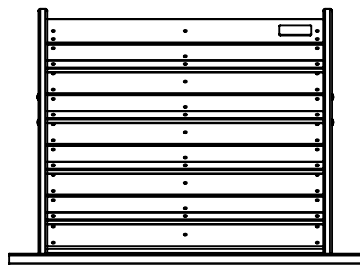
E		
D		
C		
B		
A		
LTR	ECR DESCRIPTION	NAME/DATE

DRW. NO.
81-011-10000

ITEM NO.	PART NUMBER	HILL CLIMB - PARTS DESCRIPTION	QTY.
1	81-011-20000	RAMP	2
2	81-011-30006	UNDERFRAME GUSSET	2
3	3-1/2" Long	Hex bolt (Galvanized)	4
4	WASHER	Flat Washer (Galvanized)	12
5	NUT	Hex nut (Galvanized)	12
6	NUT	Nut (Galvanized)	12
7	4-1/2" Long	Hex bolt (Galvanized)	8

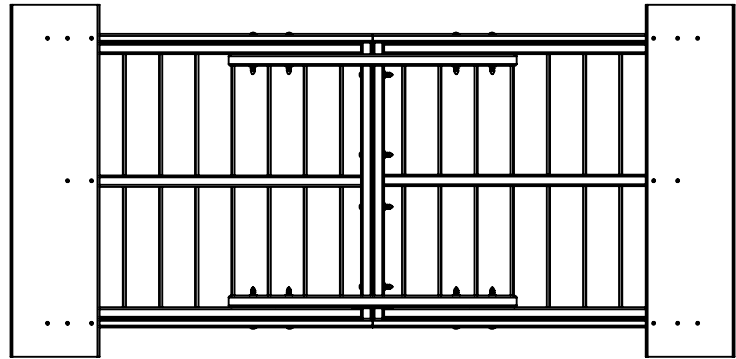


Safe Landing Zone: Provide a 4" absorption layer of cypress or cedar mulch or some form of absorption in the defined Landing Zone (see above) around the equipment to provide a safe landing zone. For concrete floor installations we recommend using our Dura Dog(TM) Soft Cushion Jumping Mats in front of each ramp.



Anchoring instructions:

Fastener, 3/8 x 5" min. wedge anchor.
Fastener should be a minimum of 1 inch from edge of board.
Recommend to cut excess threads of anchor off for safety.



PATENT PENDING
All Rights Reserved
Gyms For Dogs

800-931-1562 Phone
www.GymsForDogs.com

TOLERANCES UNLESS NOTED:
.X ±.03
.XX ±.015
.XXX ±.005
FRACTIONAL: ±1/32
ANGULAR: ±.5°

PROPRIETARY AND CONFIDENTIAL
THE INFORMATION CONTAINED IN THIS DRAWING IS THE SOLE PROPERTY OF GYMS FOR DOGS. ANY REPRODUCTION IN PART OR AS A WHOLE WITHOUT THE WRITTEN PERMISSION OF GYMS FOR DOGS IS PROHIBITED.

MATERIAL:		
NAME	DATE	
DRAWN BY: JIMJ	5/24/2016	

COMMENTS:
DO NOT SCALE DRAWING



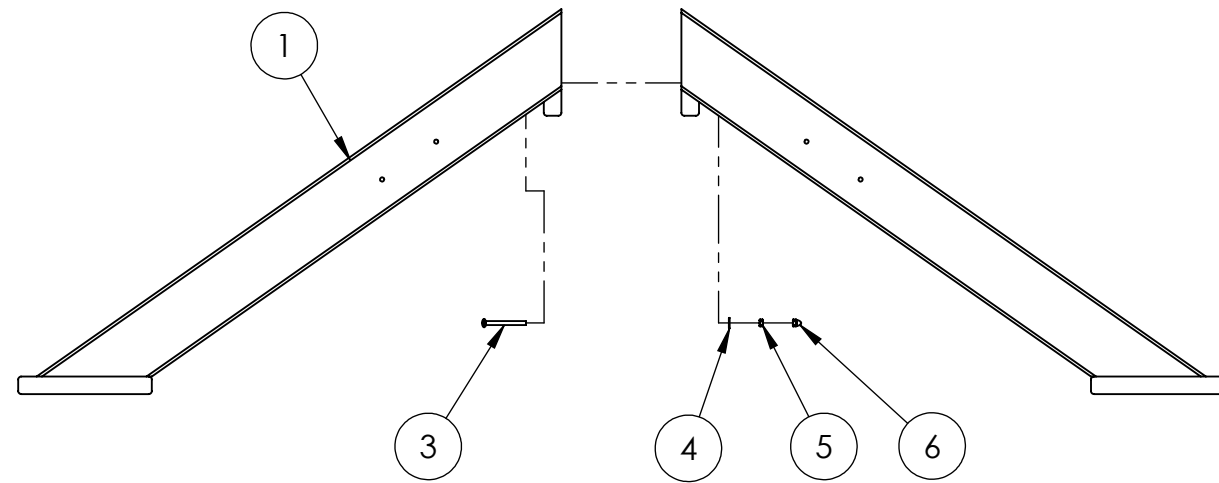
TITLE: **HILL CLIMB**

SIZE	DRW. NO.	REV
B	81-011-10000	

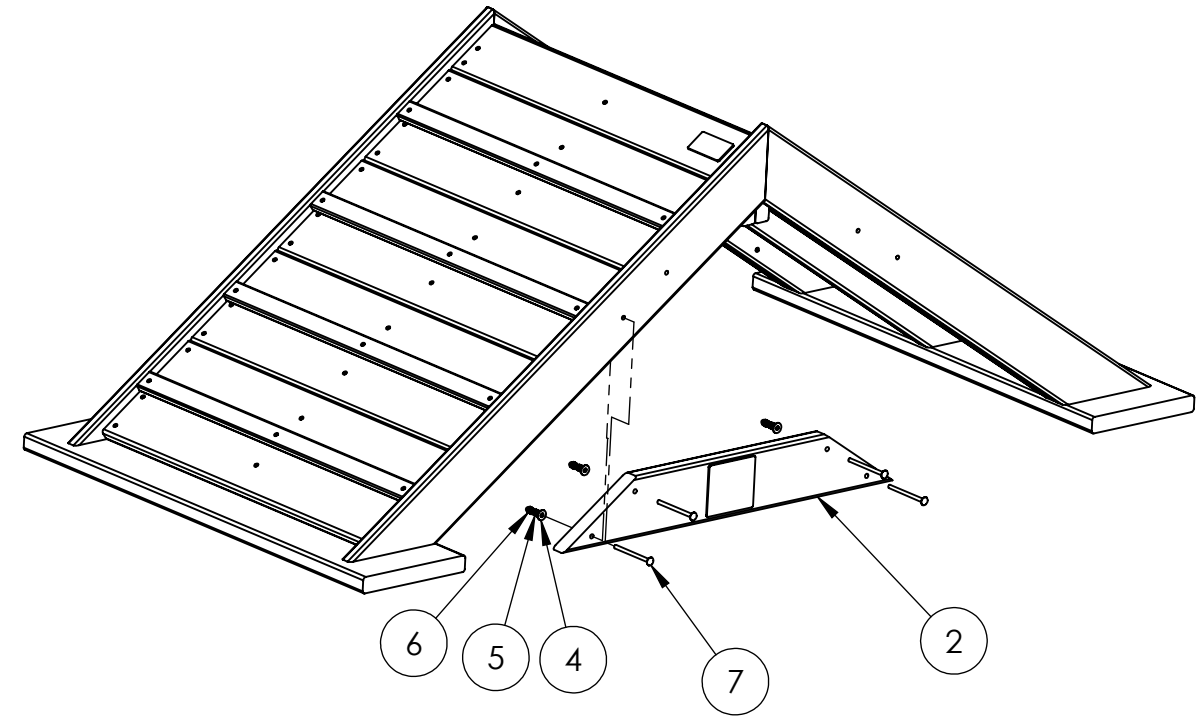
SCALE: 1:24 WEIGHT: 283.75 LBS. SHT: 1 OF 2

E	ECR DESCRIPTION	NAME/DATE
D		
C		
B		
A		

STEP 1



STEP 2



ASSEMBLY NOTES:

Step 1: Assemble - Bolt (#3), washer (#4), nut (#5), nut (#6) and Item 1.


Step 2: Assemble - Bolt (#7), washer (#4), nut (#5), nut (#6) and Item 2 (gussets) to ramp assembly.

Step 3: Place on level surface and check product with a level - check all connections.

PATENT PENDING

All Rights Reserved
Gyms For Dogs

800-931-1562 Phone
www.GymsForDogs.com

TOLERANCES UNLESS NOTED:		MATERIAL:		 Natural Dog Park Products
.X ±.03	.XX ±.015	.XXX ±.005	FRACTIONAL: ±1/32	
ANGULAR: ±.5°				SIZE B DRW. NO. 81-011-10000 REV
PROPRIETARY AND CONFIDENTIAL				SCALE: 1:16 WEIGHT: 283.75 LBS. SHT: 2 OF 2
THE INFORMATION CONTAINED IN THIS DRAWING IS THE SOLE PROPERTY OF GYMS FOR DOGS. ANY REPRODUCTION IN PART OR AS A WHOLE WITHOUT THE WRITTEN PERMISSION OF GYMS FOR DOGS IS PROHIBITED.				DO NOT SCALE DRAWING

E	ECR DESCRIPTION	NAME/DATE
D		
C		
B		
A		
LTR		