



**PARK WASTE RECEPTACLE
DL-PWR-FT**

The Park Waste Receptacle is a stylish 36 gallon receptacle that will keep a clean look in any outdoor area.

KEY FEATURES

PRODUCT DIMENSIONS

- DIMENSIONS (L x W x H): 49" x 27" x 35"
- WEIGHT (lbs): 200 lbs

MOUNT TYPE

Portable or Surface Mount

COATING

- Electrostatic powder coat finish

FRAME

- MIG welded frame

HARDWARE

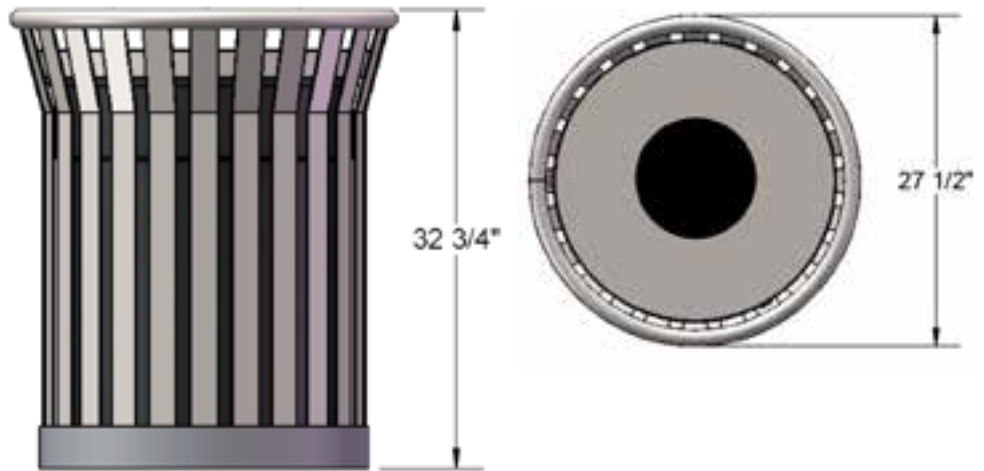
- All stainless steel hardware

WARRANTY

All items are guaranteed for one full year to be free of defects in workmanship or materials when installed and maintained properly. Other issues are under the manufacturer's discretion.



PARK WASTE RECEPTACLE



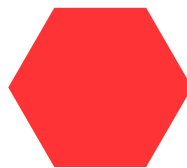
COLOR OPTIONS



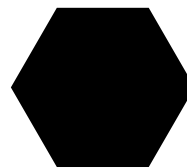
GREEN



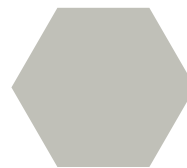
BLUE



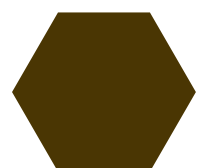
RED



BLACK



BEIGE



BROWN

ITEM # DL-PWR-FT