



**FIRE HYDRANT | DL-FH20-FG**

The Fire Hydrant is the dog's favorite spot to hang out. Why? We may never know. This portable, free-standing, decorative park piece will certainly be the social spot of the park!

**KEY FEATURES**

**PRODUCT DIMENSIONS**

- DIMENSIONS (L x W x H): 12"x 20" x 13"
- WEIGHT: 10 lbs, unfilled; 40 lbs, estimated fill

**SHIPPING DIMENSIONS**

- SHIPPING (L x W x H): 26"x 14"x 14"
- MOUNT TYPE: Free Standing and Portable  
*Fill the hydrant with sand or Quikrete.*

**MATERIALS**

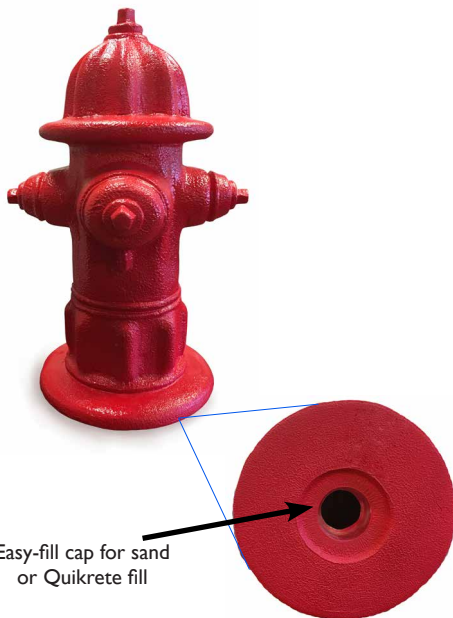
- Heavy-duty crafted fiberglass with durable outdoor commercial powder coat finish.

**WARRANTY**

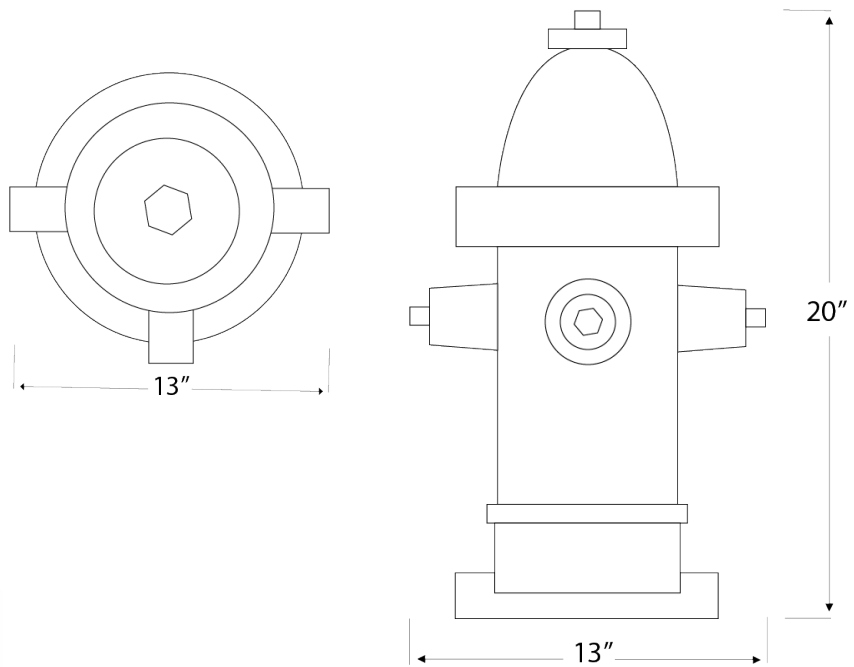
One year manufacturer warranty for defects. Other issues are under the manufacturer's discretion.



# FIRE HYDRANT



*photo of underneath hydrant*



ITEM # DL-FH20-FG

COLOR OPTIONS

Red

